

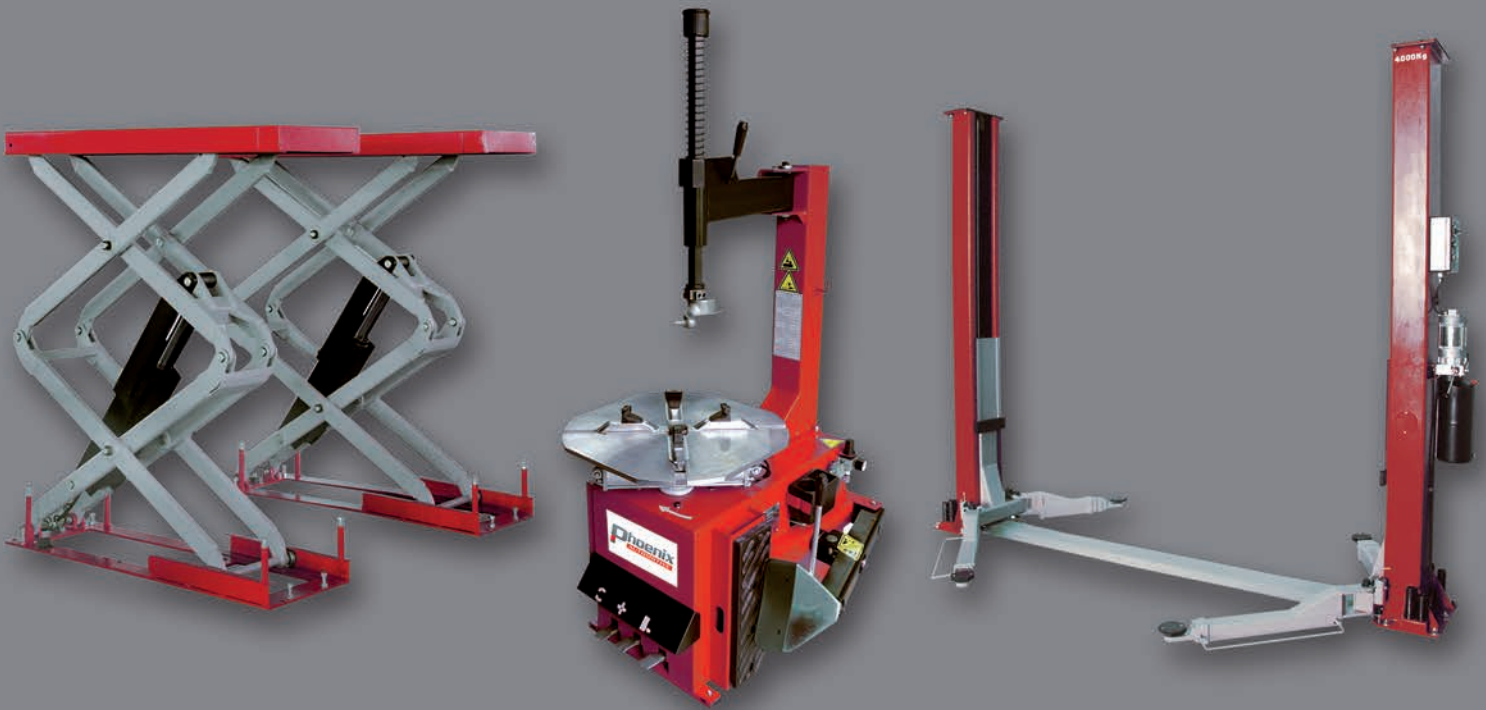
**BUILT
TOUGH**

Phoenix

AUTOMOTIVE

GARAGE EQUIPMENT

NATIONWIDE SALES • SERVICE • INSTALLATION



GORDON
Automotive
SERVICES

NEWRY, CO. DOWN

Phone: 028 3025 2819 | Website: www.gordonautomotive.co.uk.ie

LIFTING EQUIPMENT

PA-6140A Manual Lock Release PA-6140D Electric Lock Release

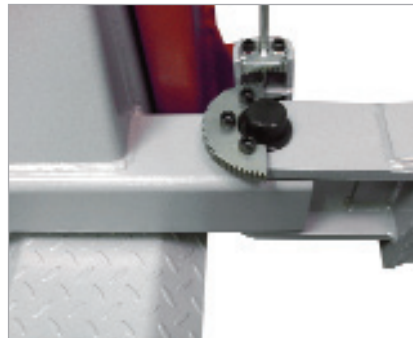
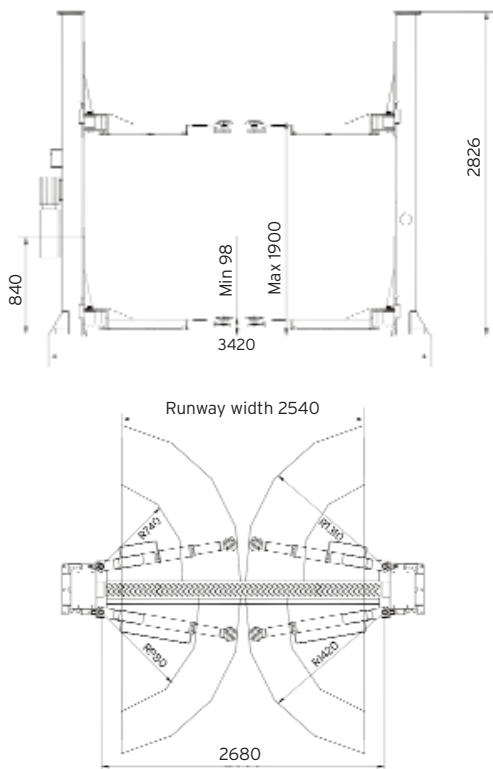
This lift is simple and robust. Uses a twin hydraulic ram design for steady raising and lowering operation. Although 4T capacity you can still lift the smallest cars with this machine.

Features

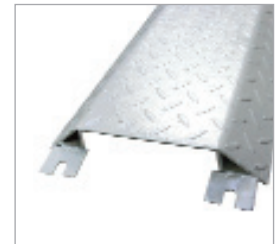
- Lifting capacity 4T
- Lifting height 1900mm
- Minimum height 98mm
- Choice of Automatic lock release or Manual lock release
- Lift pad extensions included (for vans/4x4)
- Single or 3-phase option

4T-4000kg

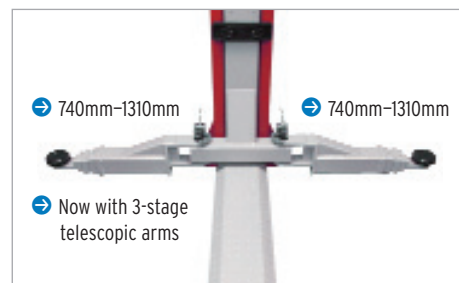
Dimensions



→ Automatic arm locks



→ 50mm low clearance base plate



Screw up lift pads

→ Lift pad extensions included



LIFTING EQUIPMENT



→ Our lifts are fitted with a low voltage control system



PA-6240TH Twin Hydraulic Ram, Clear Floor, 2-Post Lift

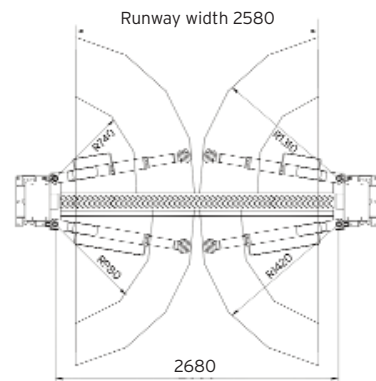
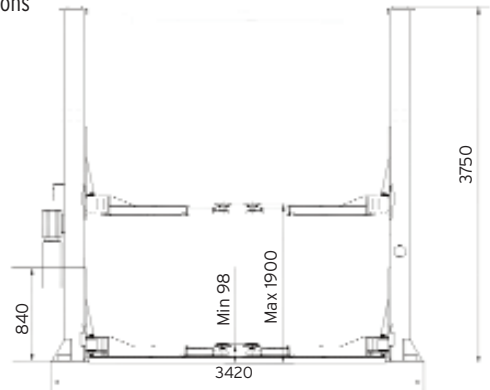
This lift is simple and robust. Uses a twin hydraulic ram design for steady raising and lowering operation. Although 4T capacity you can still lift the smallest cars with this machine.

Features

- Lifting capacity 4T
- Lifting height 1900mm
- Minimum height 98mm
- Automatic safety locks in each post
- Safety shut-off bar on the overhead bridge
- Lift pad extensions included (for vans/4x4)
- Single or 3-phase option

4T-4000kg

→ Dimensions



Screw up lift pads

→ Lift pad extensions included



LIFTING EQUIPMENT

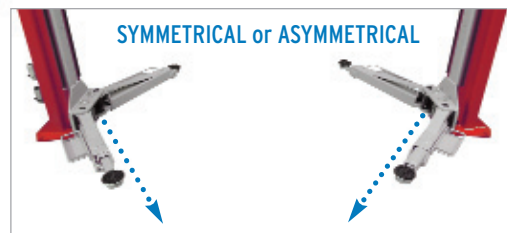
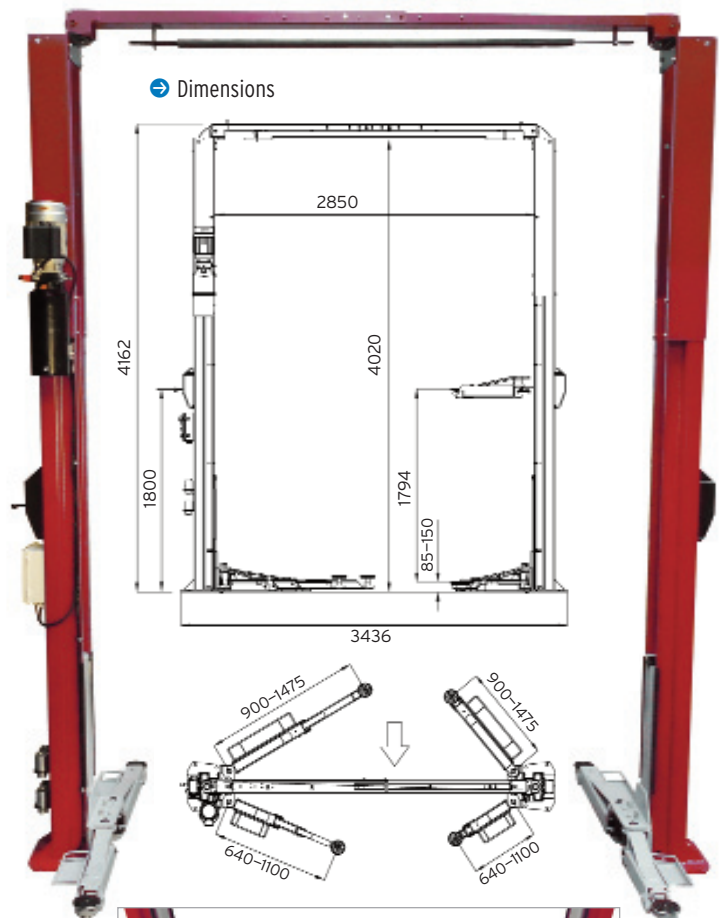
PA-6246/H1 Twin Hydraulic Ram, Clear Floor, 2-Post Lift

This lift uses direct drive hydraulic rams and a single point safety lock release system. This means there are very few moving parts and components. The double "S" bent post structure increases the post strength, making the lift very strong and stable. Although 4T capacity, the smallest and lowest cars can still be lifted using this machine, with the lift pad lowest height at just 85mm.

Features

- Lifting capacity 4T
- Lifting height 1938mm
- Minimum height 85mm
- Single point manual safety locks
- Double screw pad adapters
- Asymmetrical or Symmetrical configuration
- Safety shut-off bar on the overhead bridge
- Lift pad extensions included (for vans/4x4)
- Single phase or 3 phase option

4T-4000kg



Optional in asymmetrical or symmetrical configurations



24V at the buttons



Our automatic arm locks are fully approved, tested and safe. Automatically disengage when the lift is lowered.



80mm lift pad extensions and holder included



25mm

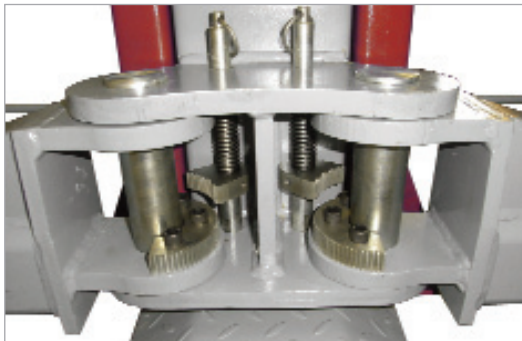


100mm



170mm

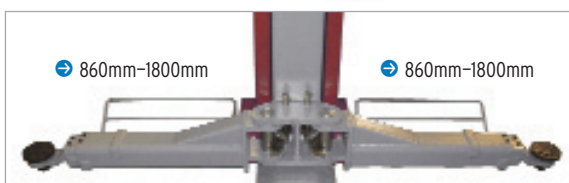
LIFTING EQUIPMENT



→ C.E. approved locks automatically disengage when lift is lowered



→ Lift pad extensions included



PA-6150D Twin Hydraulic Ram, 2-Post Lift

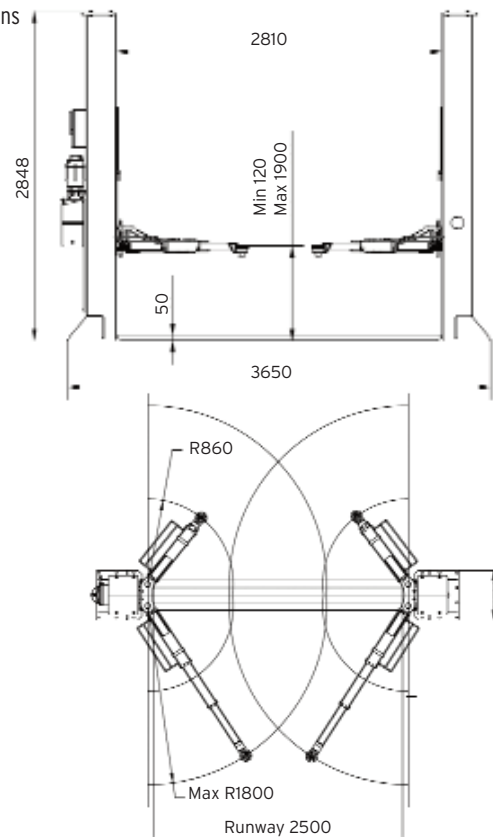
This lift is ideal for lifting large vans and commercial vehicles, with its huge lifting capacity of 5000Kg. The design of the arms will also allow the machine to be used on cars.

Features

- Lifting capacity 5T
- Lifting height 1900mm
- Minimum height 120mm
- 3-stage lifting arms
- Automatic safety locks in each post
- Lift pad extensions included
- Single phase

5T-5000kg

→ Dimensions



LIFTING EQUIPMENT



PA-6745

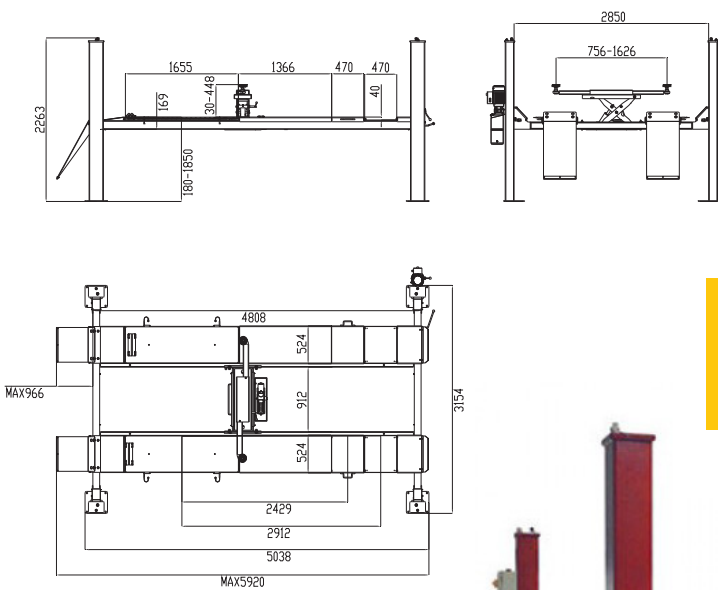
4 Post Wheel Alignment Lift with air operated locks.

Front removable turntables and multi-directional rear slip plates on a 4800mm platform.

Optional - 2.5 ton air operated rolling jacking beam.

- Features**
- Front removable wheel alignment turntables included
 - Rear wheel alignment slip plates included
 - Extra long drive up ramps
 - Air operated lock release
 - Hydraulic and mechanical safety devices
 - 24V low voltage control
 - Fully CE approved
 - Lifting capacity - 4200kg
 - Max lifting height - 1850mm
 - Min height - 180mm
 - Platform length - 4800mm
 - Lifting time - 60 seconds
 - Electric supply - 230V
 - Motor power - 2.2kw

Model	PA-6745
Maximum Capacity (kg)	4200
Lifting Time ca. (sec.)	45
Lowering Time (sec.)	45
Lifting Height	1850
Runway Length (mm)	4808
Overall Width (mm)	3154
Distance between Posts	2850



4.2T - 4200kg



LIFTING EQUIPMENT



PA-7230A Scissors Lift

This low profile, full rise scissor lift is surface mounted – there is no need for expensive ground works. An ideal unit when space is tight.

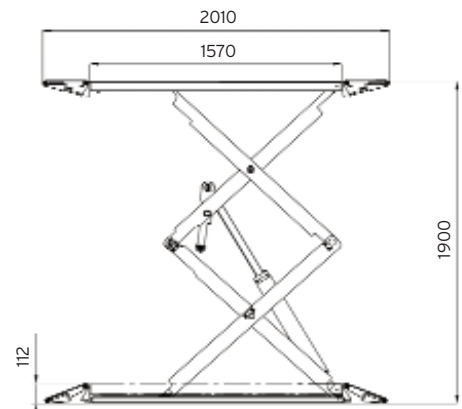
Features

- Lifting capacity 3T
- Lifting height 1900mm
- Minimum height 112mm
- Rubber lift blocks included
- Single or 3-phase option

3T-3000kg



➔ Dimensions



➔ Machine bolts directly to the floor. No need for expensive groundworks.



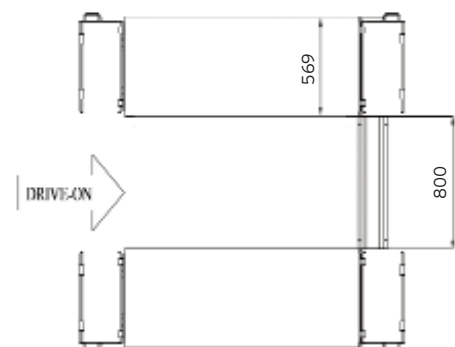
➔ Rubber sill mounting blocks included



➔ Drive up ramps can be locked in the upright position to extend the platform length.



➔ Our lifts are fitted with a low voltage control system.



LIFTING EQUIPMENT

PA-7132

Features

Low profile on floor scissors lift with extendable platforms
Details
3200kg Lifting capacity
Maximum lifting height - 1900 mm.
100 mm minimum height.
Four-cylinder hydraulic lifting system for powerful lifting.
Pneumatic safety locks.
Anti-trap protection according to EN standard
Overload valve

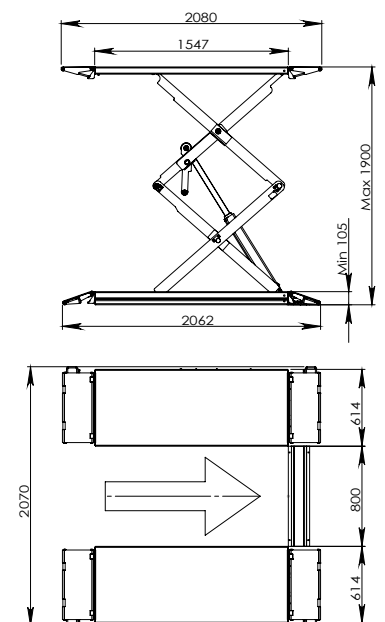
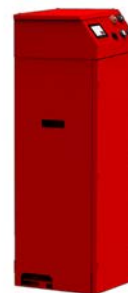
PA-7135C2

Features

Low profile on floor scissors lift with extendable platforms
Details
3500kg Lifting capacity
Maximum lifting height - 1900 mm.
105 mm minimum height.
Four-cylinder hydraulic lifting system for powerful lifting.
Pneumatic safety locks.
Anti-trap protection according to EN standard
Overload valve

3.2T - 3200kg

3.5T - 3500kg



LIFTING EQUIPMENT

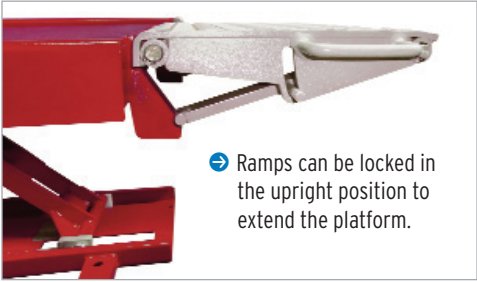


PA-7530D Mid-Rise Scissor Lift

This scissor lift is ideal for tyre shops or body shops with the advantage of it being totally mobile.

- Features**
- Fully mobile
 - Lifting capacity 3T
 - Extendable platform
 - Lifting height 1000mm
 - Minimum height 110mm
 - Pneumatic safety locks
 - Single phase
 - No installation required

3T-3000kg



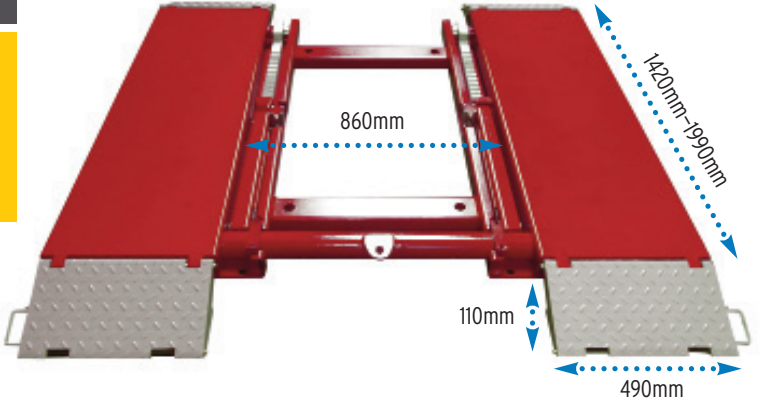
→ Ramps can be locked in the upright position to extend the platform.



→ Quick release lock.

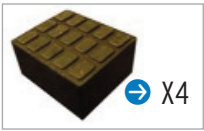
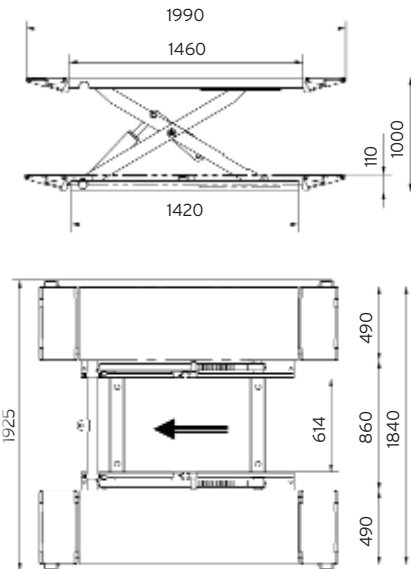


→ Our lifts are fitted with a low voltage control system.



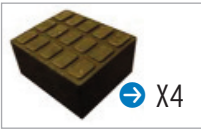
MOBILE WHEEL KIT
→ Every machine comes with a full mobile kit as standard.

→ Dimensions



→ X4
→ Rubber sill mounting blocks included

LIFTING EQUIPMENT



X4

→ Rubber sill mounting blocks included



→ Lift platforms can be extended for longer vehicles.



→ Lift extends to full height with a clear working area between platforms.

PA-7330 3 Tonne Version PA-7335 3.5 Tonne Version

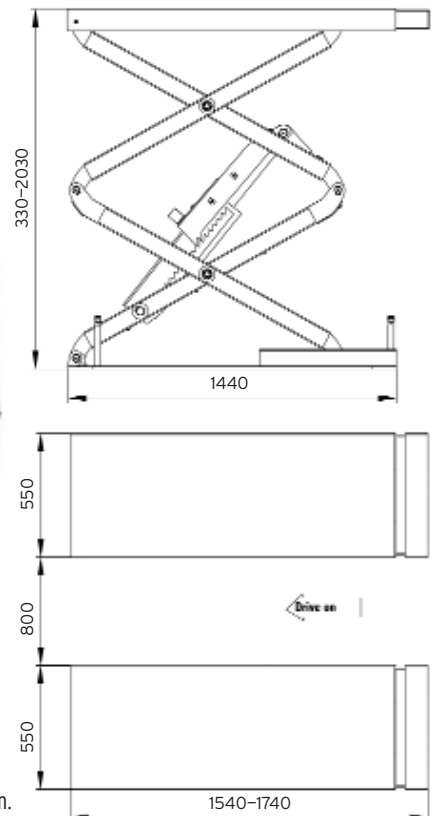
In floor, full rise scissor lift gives a flush floor finish when lowered. This means that the minimum height is 0mm. The installed lift gives a very professional appearance to any workshop.

Features

- Lifting capacity 3T/3.5T
- Lifting height 1700mm/1900mm
- Minimum height 0mm
- Rubber lift blocks included
- Pneumatic safety locks
- Single phase

3.0T - 3000kg
3.5T - 3500kg

→ Dimensions



→ Our lifts are fitted with a low voltage control system.



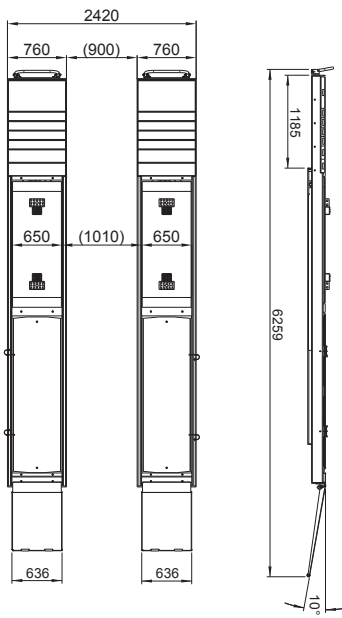
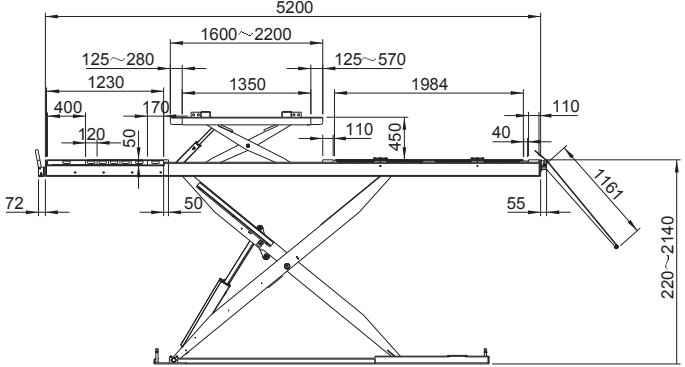
LIFTING EQUIPMENT



PA-8150

- Wheel Alignment Scissors Lift**
Features
- Lifting Capacity 5000kg
 - Platform Length 5200mm
 - Front Turntables
 - Rear slip plates
 - Built in scissors lift
 - In-floor/on-floor installation
 - Single phase
 - Jacking Beam Optional

5T - 5000kg



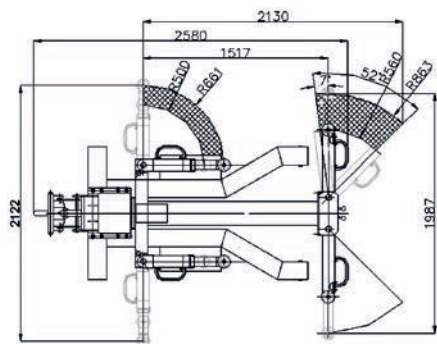
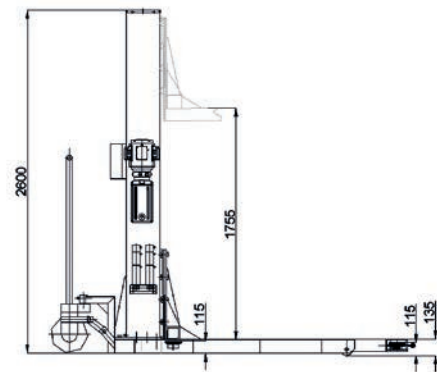
LIFTING EQUIPMENT

PA-7521

2.5T - 2500kg

Features

- Four extendable swivel lifting arms allow easy access and clearance
- 24V Controls
- Removable drive over ramp
- Steady, level raising and lowering
- Arms lock fitted as standard
- Lift pad Adaptor kit included



Four extendable swivel lifting arms allow easy access and clearance



24V CONTROLS
Our lifts are fitted with low voltage control systems

Removable drive over ramp

LIFTING EQUIPMENT

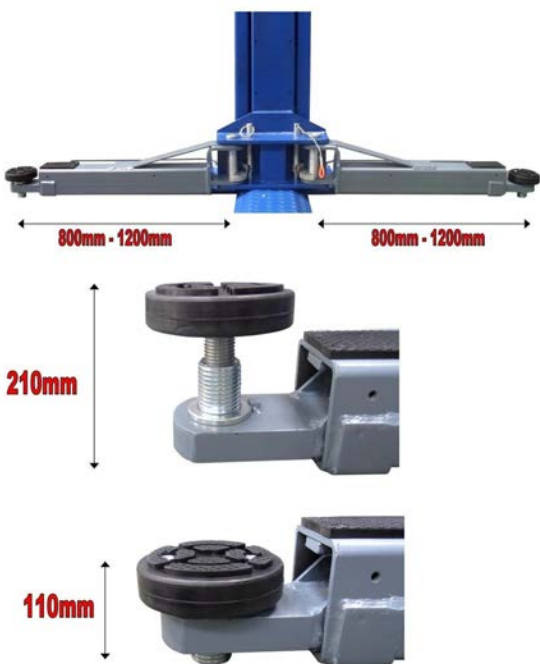
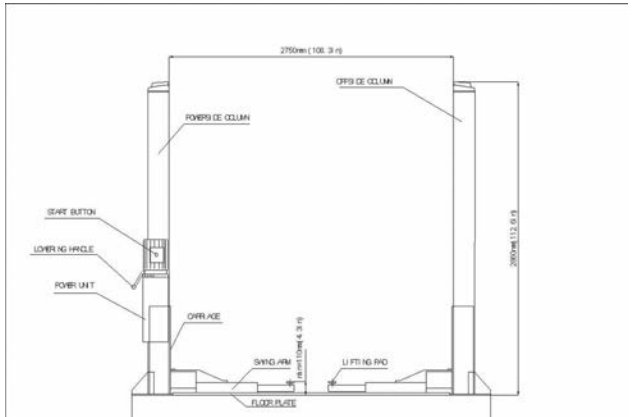
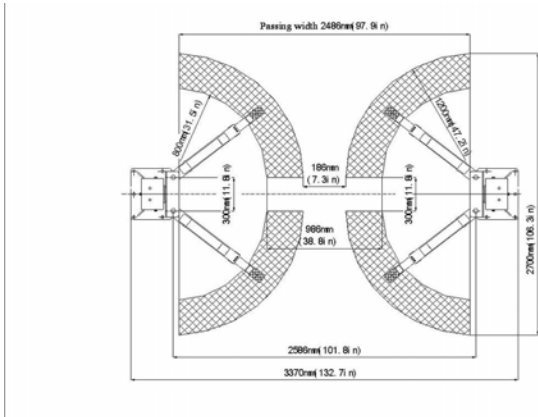
Go Lift

AS-235

- Features**
- 3.5 T Lifting Capacity
 - Single Phase Hydraulic
 - Manual Lock Release
 - Screw up lift pads
 - Equal length arms front and rear

Technical data	235
Capacity	3,500 kg
Lifting/descent	50 s
Lifting height	1900 mm
Motor	2.2 kW - 3 ph 230v/50 Hz

- Optional**
- Lifting pad extensions (4 pcs set)



CEMB-650

Automatic Tyre Changer

Features

- Self centering chuck opening 10"-22" [x]
- Self centering chuck opening 13"-25" [x]
- Bead-breaking power 2900 Kgf (6395 lbf)
- Bead-breaker speed 8 rpm (6-12 rpm 2sp)
- Max wheel diameter 1060 mm
- Max wheel width 370 mm (14.5")
- Working pressure 8 - 10 bar (116 - 145 psi)
- 2 Speed as standard

Optional

- Wheel lifting device



Arm equipped with double-acting cylinder with high efficiency and a patented mechanism that allows obtaining two different operating inclinations between the blade and the wheel thus improving the accuracy of the bead breaking operation. Also the wheel support is adjustable into two operating positions



CEMB-ER85

Wheel Balancer

Features

- Touchscreen wheel balancer with run-out measurement
- Detection of wheel data
- Adhesive counter-weights positioning by means of SPOTTER Laser
- Pneumatic locking of wheel
- OPB: One plane balancing
- AutoAdaptive Mode

Standard



Optional



TYRE EQUIPMENT

Phoenix
AUTOMOTIVE
GARAGE EQUIPMENT

PA-7260

SEMI AUTOMATIC TYRE CHANGER

This compact machine is simple to use, with a turntable that will clamp up to 20" rims.

Features

- Swing arm/semi automatic style
- 10"-20" rim clamping
- Inflation gauge included
- Tyre lever included
- 240v single phase

10"-20"



PA-7201

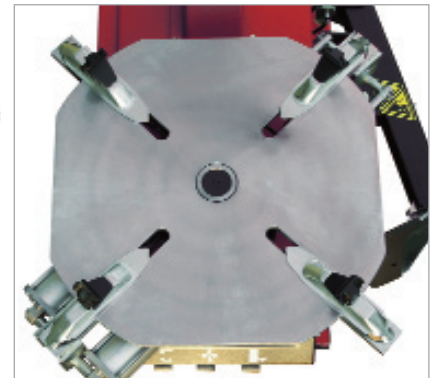
SEMI AUTOMATIC TYRE CHANGER

This semi automatic machine is compact, simple to use and will handle rims up to 24". A great value for money machine.

Features

- Swing arm/semi automatic style
- 10"-24" rim clamping
- Inflation gauge included
- Tyre lever included
- Plastic jaw protectors included
- 240v single phase
-

10"-24"



➔ Includes aluminium wheel protection kit/tyre lever and inflation gauge.

TYRE EQUIPMENT

Phoenix
AUTOMOTIVE
GARAGE EQUIPMENT



➔ Motorbike adapters



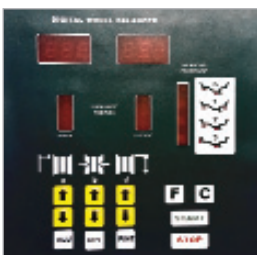
PA-7226IT AUTOMATIC TYRE CHANGER WITH POWER ASSIST ARM

This automatic machine is a tilting back arm design, with a built-in tubeless inflation tank and a powerful pneumatic assist arm. The air operated bead lifting and pressing device makes mounting and demounting easier, especially stiff beaded low profile tyres.

Features

- Fully automatic style
- Air-operated assist arm
- 12"-24" rim clamping
- Built-in inflation gauge included
- Built-in tubeless inflation tank
- Plastic jaw protectors included

10"-24"



➔ Wheel balancer control panel



➔ Centreless wheel adapter



➔ This balancer is very easy to use. It balances wheels in seconds.

PA-7160 MOTORISED WHEEL BALANCER

Features

- 10"-24" rim diameter
- 1.5"-20" rim width
- Auto spin once hood is lowered
- Set of 4 cones included
- Alloy wheel programs
- Calipers, weight pliers included

10"-24"

GARAGE EQUIPMENT



PA-0824 HYDRAULIC PRESS

30T

Features

- Press capacity 30T
- Air or manual operation
- Welded frame
- Movable piston on bearings
- Pressure gauge
- Multi-position bed
- Bed Width 540mm
- Bed depth 165mm

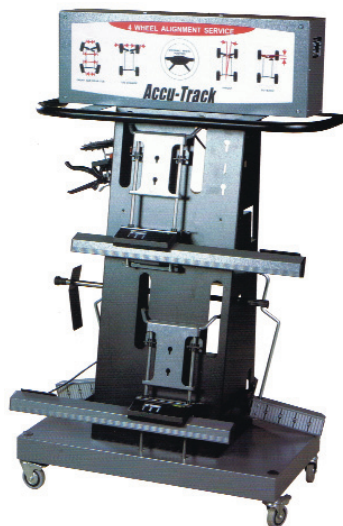


50T

PA 0811 AIR HYDRAULIC PRESS

Features

- Press capacity 50T
- Welded frame
- Movable piston on bearings
- Pressure gauge
- Multi-position bed
- Bed Width 730 mm
- Bed depth 235 mm



Accutrack 4 Wheel Alignment System

This system is proven in hundreds of tyre shops and garages throughout the UK and Ireland as a highly profitable and technically valuable tool. Individual front and rear toe, rear thrust line, set back and steering wheel position can all be achieved in just a matter of minutes.

Optional Extra

- Camber Caster Gauge
- Wheel alignment stands

12"-23"

• Available in trolley mounted or wall mounted versions. The design ensures maximum vehicle coverage including rims from 12"-23", and the clever prism design of the lasers minimises costly components within the measurement heads.

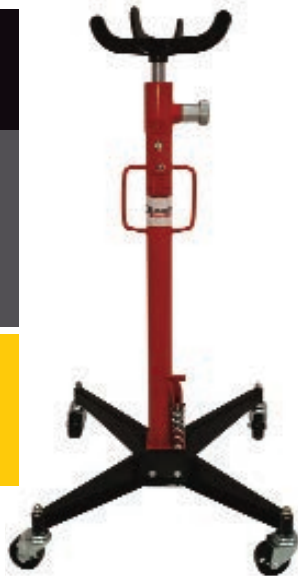
LIFTING EQUIPMENT

PA-0303 TRANSMISSION JACK

Features

- Lift capacity 600kg
- Minimum height 1140mm
- Maximum height 1950mm

600kg



PA-1204 HYDRAULIC SPRING COMPRESSOR

Features

- Capacity 1000kg
- Two sets of clamps as standard
- Safety chain

1000kg



PA-2403 FOLDING ENGINE CRANE

Features

- Lift capacity 2T
- Four lift positions – 2000kg, 1500kg, 1000kg and 500kg
- Maximum height to hook 2340mm
- Double speed pump
- Rear handle for movement

2000kg



PA-1832PDS WASTE OIL DRAINER/EXTRACTOR

Features

- Capacity 76L
- Telescopic drain bowl
- Suction probes for oil extraction
- Pneumatic discharge

76Litre



PA-1684A BEAM SETTER

Features

- Wheel mounted
- 1600mm column for car, truck and bus

Wheel Mounted

Phoenix
AUTOMOTIVE



For further information please contact:



NEWRY, CO. DOWN

Phone: **028 3025 2819** | Mobile: **085 1327 484** | Web: www.gordonautomotive.co.uk